

(No Model.)

2 Sheets—Sheet 1.

O. O. STORLE.
TOY SAVINGS BANK.

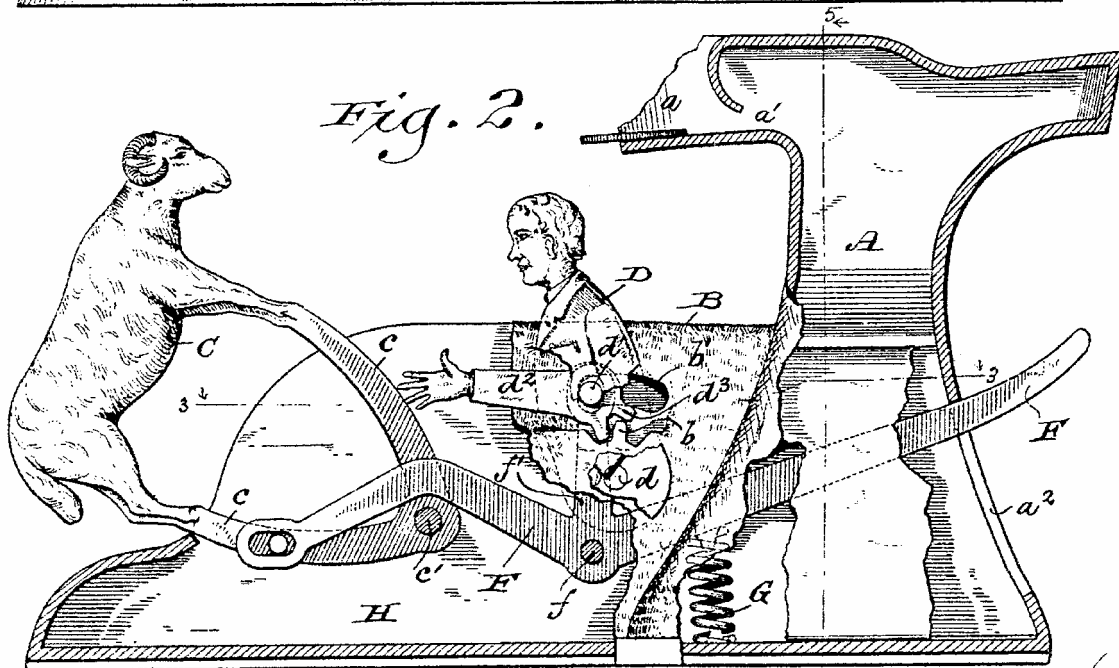
No. 548,672.

Patented Oct. 29, 1895.

Fig. 1.



Fig. 2.



Witnesses:
 Geo. W. Young,
 Chas. L. Goss.

Inventor:
 O. O. Storle,
 By *Wm. H. South*

Attorneys.

O. O. STORLE.
TOY SAVINGS BANK.

No. 548,672.

Patented Oct. 29, 1895.

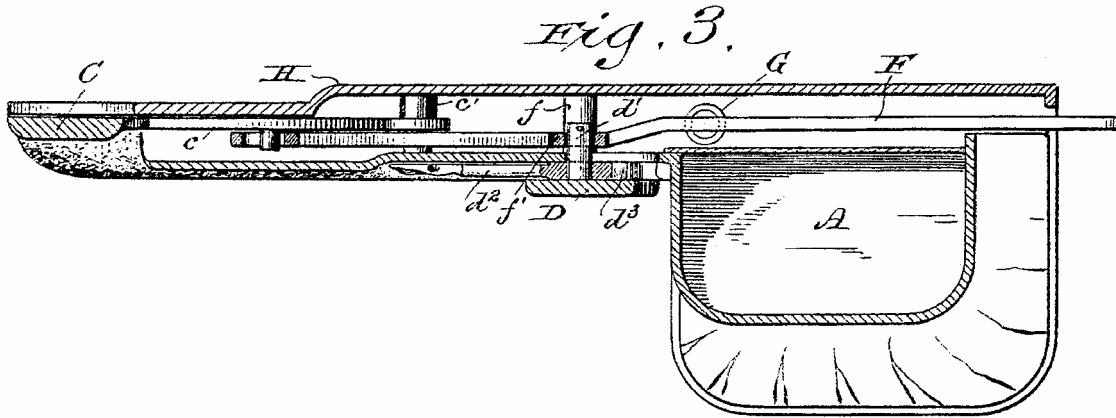


Fig. 4.

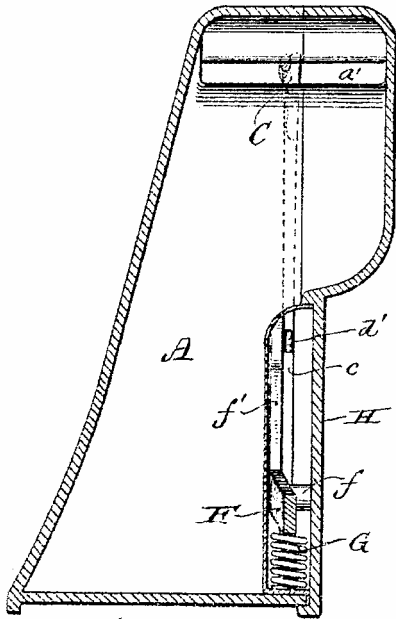
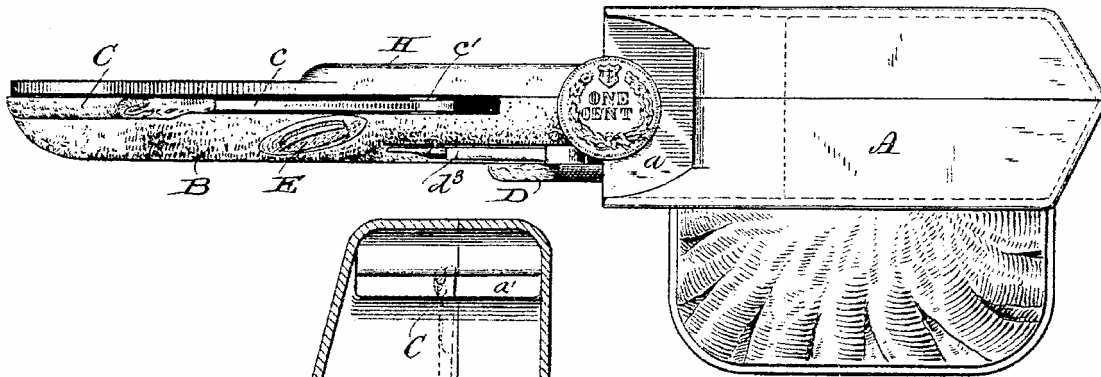


Fig. 5.

Inventor:
O. O. Storle,

Witnesses:
Geo W Young,
Chas. R. Gove.

By *Wm. H. P. ...*
Attorneys.

UNITED STATES PATENT OFFICE.

OLE O. STORLE, OF BURLINGTON, WISCONSIN.

TOY SAVINGS-BANK.

SPECIFICATION forming part of Letters Patent No. 548,672, dated October 29, 1895.

Application filed January 17, 1893. Serial No. 453,656. (No model.)

To all whom it may concern:

Be it known that I, OLE O. STORLE, of Burlington, in the county of Racine and State of Wisconsin, have invented certain new and
5 useful Improvements in Toy Savings-Banks; and I do hereby declare that the following is a full, clear, and exact description of the invention, which will enable others skilled in the art to which it pertains to make and use
10 the same, reference being had to the accompanying drawings, and to the letters of reference marked thereon, which form a part of this specification.

My invention relates to toy savings-banks.
15 It consists, essentially, of a receptacle provided with an overhanging leaf or projection on which a coin is adapted to be placed, the figure of a ram or other animal, having a pivotal connection with the base or other suitable support, connected with the bank and arranged to be moved head foremost toward or
20 against the leaf or projection on which the coin is placed, a figure arranged to retreat as the ram or other animal advances, and of lever connections arranged to operate said figures and to thrust the coin into the bank.

In the accompanying drawings like letters designate the same parts in the several figures.

30 Figure 1 is a front elevation of the bank, showing the figures in the position assumed by them when the lever is depressed for depositing a coin in the bank. Fig. 2 is a partial front elevation and vertical section showing the figures in the positions ordinarily occupied by them, and the connections by which they are operated. Fig. 3 is a horizontal section of the bank on the line 3 3, Fig. 2, showing the connections for operating the figures.
40 Fig. 4 is a plan view of the bank, and Fig. 5 is a vertical cross-section on the line 5 5, Fig. 2.

A represents the coin-receptacle, which may be made to represent the trunk of a tree formed with an overhanging projection or
45 limb *a*, constituting a leaf or support upon which a coin may be placed adjacent to an opening *a'*, as shown in Fig. 2, into the coin-receptacle A. In connection with the coin-receptacle is cast a projection on one side,
50 which may be made to represent a knoll or mound B, over which the figure of the ram or other animal is arranged to move head fore-

most against the overhanging projection *a* of the coin-receptacle. This knoll or mound forms, in connection with the tree with which
55 it is cast, the base of the bank.

C is the figure of a ram pivoted by arms *c*, constituting extensions of the legs, to the base at *c'*. These extensions *c c* are inserted in a vertical opening between the front and
60 back plates of the bank and are obscured thereby, as shown in Fig. 1.

D represents the figure of a boy whose body is movable, being pivotally connected with the base of the bank at *d*. To a pin *d'*, projecting rearwardly from the back of the body
65 above the pivot connection *d*, is pivoted the arm *d²* which is formed concentrically with the pin *d'* with a segment gear *d³*, arranged to work with a similar segment *b*, cast in the
70 front plate of the bank. As the body is tipped backward the arm *d²* is raised into the position in which it is shown in Fig. 1 by the segment gears, and when the body is moved forward the arm assumes the position in which
75 it is shown by full lines in Fig. 2 and indicated by dotted lines in Fig. 1, as if to grasp a hat E, or other object represented on the mound or knoll B.

F is a lever fulcrumed to a pin or stud *f*
80 between the front and back plates and projecting at one end through a vertical slot *a²* in the bank, and connected at the other end with one of the arms *c*, carrying the figure of the ram. It is formed with an intermediate
85 upwardly-projecting arm *f'*, which is formed with an elongated hole to receive the pin *d'*, passing through a slot *b'* in the front plate of the bank, as shown in Figs. 1 and 2. A spring
90 G, interposed between the lever F and base of the bank, tends to return the figures into and hold them in the positions in which they are shown in Fig. 2.

H is the back plate of the bank, which may be cast plain or to represent the reverse side
95 of the tree and mound or knoll. Integral with it may be cast the studs or pins *c'* and *f*, upon which the arms *c c* and the lever F are pivoted.

The device operates as follows: A coin is
100 placed, as shown in Figs. 1, 2, and 4, upon the leaf or support *a*, with its edge projecting over said leaf or support. The projecting end of lever F is then depressed, thereby caus-

ing the ram to advance head foremost against the coin and thrust the same through the opening *a'* into the receptacle A, and causing the figure of the boy to retreat and to assume a defiant attitude, as shown in Fig. 1. When the lever is released, the spring restores the figures to the positions in which they are shown in Fig. 2.

With a little practice in the manipulation of the lever the figures may be made to perform a variety of amusing movements, the depression of the lever to its full extent ultimately causing the ram to butt the coin into the bank.

The various details and accessories of the device may be modified within the intended scope of my invention. For instance, in place of the figure of a ram, a figure representing a goat or other animal, and in place of the figure of a boy, a figure of a girl or the figure of an animal may obviously be substituted.

I claim—

1. In a toy savings bank the combination of a coin receptacle having a coin support adjacent to an opening into said receptacle, figures C and D pivoted to the base of the bank, the figure C movable head foremost against a coin placed on said support, a lever fulcrumed to the base of the bank and having three arms, one pivoted to figure C, another to figure D, and the third projecting from the bank and serving as a handle for operating said figures, and a spring arranged to restore said figures and lever to normal position, substantially as and for the purposes set forth.

2. In a toy savings bank, the combination of a coin receptacle provided with an overhanging leaf or support adjacent to an opening into said receptacle, the figure of a ram having a hinge or pivot connection with the base of the bank, the figure of a boy, the body of which is pivoted to the base of the bank and is provided with an arm pivoted thereto and having a segment gear concentric with its pivot connection working with a similar gear on the base of the bank, and a lever fulcrumed to the base of the bank and having

arms connected with said figures, substantially as and for the purposes set forth.

3. In a toy savings bank the combination of a coin receptacle provided with an overhanging leaf or support adjacent to an opening into said receptacle, the figure of a ram pivotally connected with the base of the bank and movable head foremost against said leaf or projection, the figure of a boy having its body pivotally connected with the base of the bank and provided with a pivoted arm having a segment gear working with a similar gear formed in the base of the bank, a lever fulcrumed to the base of the bank and having arms connected with and arranged to operate said figures simultaneously, and a spring acting upon said lever to restore said figures to their normal positions, substantially as and for the purposes set forth.

4. In a toy savings bank, the combination of a coin receptacle, a movable figure C, arranged to thrust a coin into said receptacle, and a figure D, having a movable body with an arm pivoted thereto so as to be raised and lowered by the retreating and advancing movement of the body, substantially as and for the purposes set forth.

5. In a toy savings bank, the combination of a coin receptacle provided with an overhanging horizontal leaf or support adjacent to an opening into said receptacle, a figure C movable against said leaf or projection to thrust a coin placed thereon into the bank, a figure D having a movable body and an arm or limb *d*² pivoted to the body, and a lever F connected with the figure C and the body of figure D, the advance and retreating movement of the body of figure D being arranged to lower and raise the arm or limb *d*², substantially as and for the purposes set forth.

In testimony that I claim the foregoing as my own I affix my signature in presence of two witnesses.

OLE O. STORLE.

Witnesses:

CHAS. L. GOSS,
JOHN H. HURLEY.