

(No Model.)

L. KYSER & A. C. REX.  
Toy Money Box.

No. 242,139.

Patented May 31, 1881.

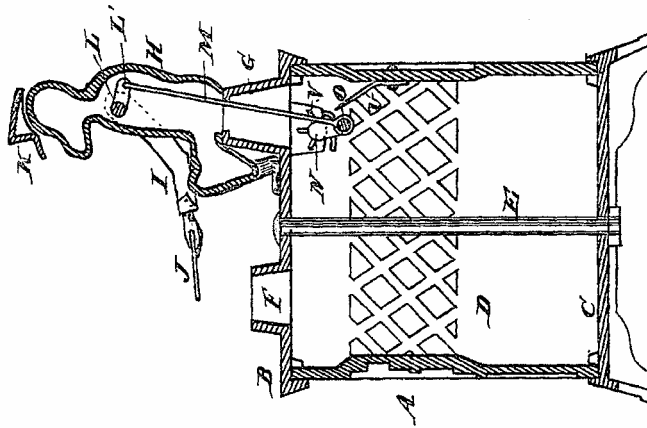


Fig. 2

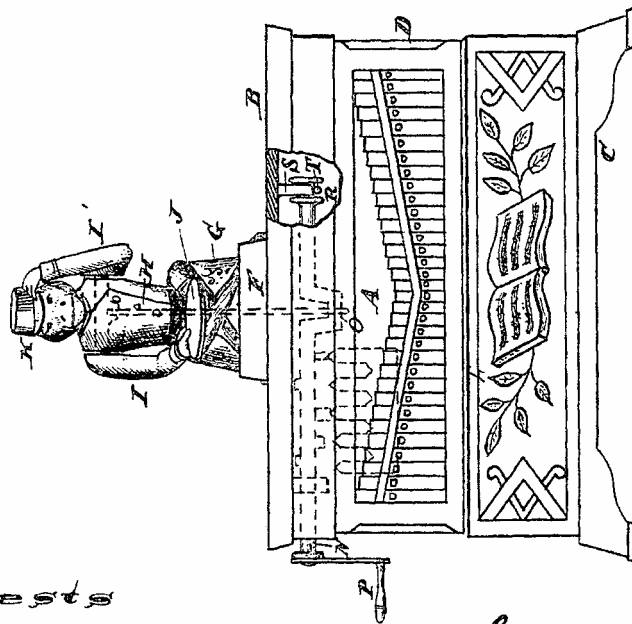


Fig. 1

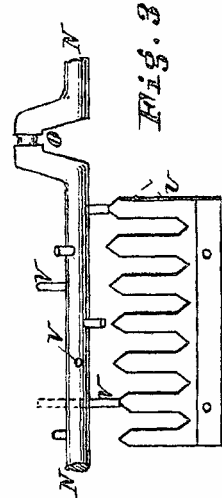


Fig. 3

attests

*Davis*

J. M. Davis Jr

Inventors

Louis Kyser & Alfred C. Rex

By their atty.

*[Signature]*

# UNITED STATES PATENT OFFICE.

LOUIS KYSER AND ALFRED C. REX, OF PHILADELPHIA, PENNSYLVANIA.

## TOY MONEY-BOX.

SPECIFICATION forming part of Letters Patent No. 242,139, dated May 31, 1881.

Application filed March 31, 1881. (No model.)

To all whom it may concern:

Be it known that we, LOUIS KYSER and ALFRED C. REX, both of the city and county of Philadelphia, and State of Pennsylvania, have invented an Improvement in Toy Money-Boxes, of which the following is a specification.

Our invention has reference to toy money-boxes in which the money is deposited by mechanical means; and it consists of a body or box in representation of an organ, upon which is seated a monkey, in which both hands move simultaneously or separately, as desired, one to deposit the money and the other to remove a hat, as in the act of bowing; further, in a crank and shaft which, in being rotated, operates the arms of the monkey and at the same time causes an instrument to emit sounds of music, all of which will be more fully set forth in the following specification, and is shown in the accompanying drawings, which form part thereof.

The object of our invention is to imitate the actions of the organ-grinders and their monkeys, as commonly found in our streets.

In the drawings, Figure 1 is a front elevation of our improved toy money-box. Fig. 2 is a sectional elevation of same. Fig. 3 is a detailed view of the musical attachment.

A, A are the two sides of the body; D, D, the ends, and B the top, and C the bottom, of same. They are held together by bolt E. The top B is provided with an aperture, F, large enough to admit the money to be deposited.

G is a projection open at the top, and forms the seat for the body of the monkey or other figure, H.

The arms I, I are preferably both secured to a single crank-axle, L, L'; but, if desired, may be secured to separate cranks and independently operated. One arm, I, carries a plate, J, upon which the money to be deposited is placed. To the other arm, I', is secured a hat, K.

The crank-axle or rocker-arm L, L' is connected to the crank O of the axle N by rod M. This axle N is supported in bearings S by wires T, which are bent over, holding the axle in recesses in the bearings S, as shown. The wires T are cast into the top plate, B.

The axle is provided on the end with a deep groove having projecting ridges, as shown at K, on the end opposite with a crank, P, and on the axle with projecting wires or ribs V cast on or in the same.

Secured to the back of body is a musical fork, U, having teeth of unequal length, or of the same length, and of unequal thickness of metal, or both combined. It is bent out so as not to be near the body, and the ends of the teeth are in the path of the teeth V on axle N.

We do not confine ourselves to any particular kind of musical instrument, but prefer the one shown for this class of toy.

The operation is as follows: The crank P being rotated after the money is laid upon the plate J, the crank O operates to move down both arms, I, I'. Therefore, as the plate is being lowered to allow the money to slide off into the box through the hole F the other arm and hand, I', is removing the hat K in token of thanks. During the same movement and that which takes place subsequently the pins V strike the musical fork U and produce musical sounds.

Having now described our invention, what we claim as new, and desire to secure by Letters Patent, is—

1. A toy money-box consisting of the body of an organ provided with an opening in the same, in combination with the figure of a monkey or other animal located thereon, and provided with two pivoted arms secured upon the same pivot and oscillating in the same plane, one of which is adapted to receive the money and deposit the same and the other adapted to remove the hat, and mechanism to oscillate said arms, as and for the purpose specified.

2. A toy money-box consisting of the body of an organ provided with an opening in the same, in combination with a figure of a monkey or other animal located thereon, provided with an outstretched arm adapted to hold the money, and mechanism to oscillate the arm and cause it to deposit the money, and at the same time cause a musical instrument located within the box to emit sound, as and for the purpose specified.

2

242,139

3. In a toy money-box, the combination of body provided with slot F, figure H, provided with oscillating arms I, I', plate J, and hat K, and mechanism to emit musical sounds, as and for the purpose specified.

4. In a toy money-box, the combination of body of box provided with slot F, a figure, H, provided with an arm, I, to deposit money in slot F, axle N, provided with projections V,

and musical fork U or its equivalent, as and for the purpose specified.

In testimony of which invention we hereunto set our hands.

LOUIS KYSER,  
ALFRED C. REX.

Witnesses:

EDWIN T. COXE,  
LOUIS F. MATOS.