

J. HALL.
TOY MONEY-BOX.

No. 189,857.

Patented April 24, 1877.

Fig. 1.

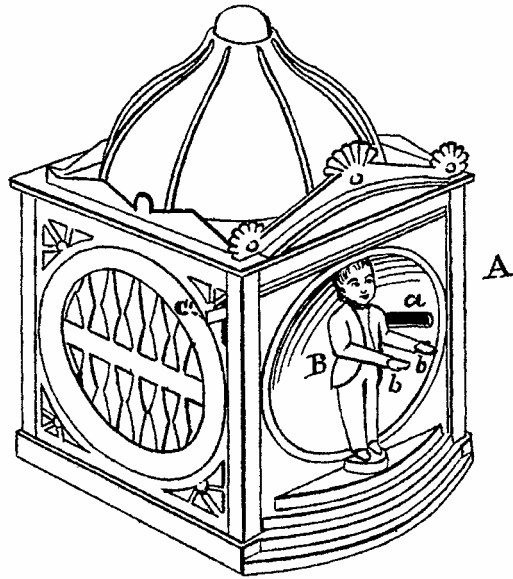


Fig. 2.

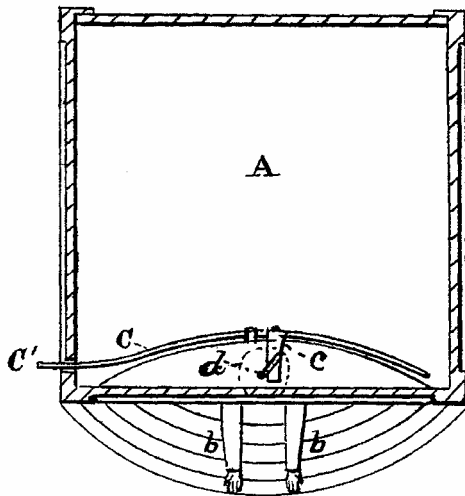
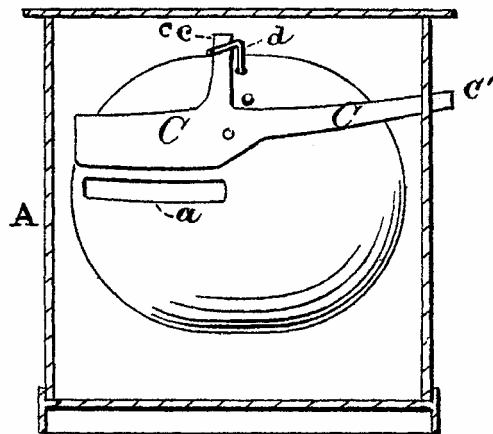


Fig. 3.



Witnesses :
A. P. Lacey
James Greenwood Jr.

Inventor :
John Hall
by *M. Burris*
Attorney.

UNITED STATES PATENT OFFICE.

JOHN HALL, OF WATERTOWN, MASSACHUSETTS.

IMPROVEMENT IN TOY MONEY-BOXES.

Specification forming part of Letters Patent No. **189,857**, dated April 24, 1877; application filed October 31, 1876.

To all whom it may concern:

Be it known that I, JOHN HALL, of Watertown, in the county of Middlesex and State of Massachusetts, have invented certain new and useful Improvements in Toy Banks; and I do hereby declare that the following is a full, clear, and exact description thereof, which will enable others skilled in the art to which it appertains to make and use the same, reference being had to the accompanying drawings, and to letters of reference marked thereon, which form a part of this specification.

Figure 1 is a perspective view. Fig. 2 is a plan view with the top plate removed, showing the lever and connecting devices. Fig. 3 is a back view with the back plate removed, showing the inner side of the front plate with devices for operating the movable figure.

My invention relates to a toy money-box having a movable mechanical figure for depositing money in the box; and the invention consists of the mechanism employed for operating the movable figure, as hereinafter fully described.

A is the money-box or toy bank, having a slot, *a*, for receiving the money. B is the mechanical figure, having extended arms *b b*, and pivoted at the feet and head to the box, and adjusted so that when at rest it faces outward, and the arms extend outward from the bank. C is a lever, pivoted to the inner

side of the front plate of the bank, and provided with an arm, *c c*, extending above the lever to engage the rod *d*, which is bent over to engage the lever-arm. The lower part of this rod *d* extends through the recessed part of the front plate of the bank, and is fastened to the top of the head of the figure B, forming its upper pivot. The end *C'* of the lever is extended through the side plate of the bank.

A coin being placed on the extended arms *b b* of the figure, the end *C'* of the lever is pressed downward, bearing the lever-arm *c c* against the rod, and turning the arms of the figure around to the slot *a*, depositing the money through the slot into the bank, and the end of the lever automatically rises and the figure returns to its former position.

What I claim as new, and desire to secure by Letters Patent, in a toy bank, is—

The lever C, having arm *c*, in combination with the rod *d*, attached to the movable figure B, all constructed and arranged to operate substantially as and for the purposes described.

In testimony that I claim the foregoing as my own invention I affix my signature in presence of two witnesses.

JOHN HALL.

Witnesses:

GEORGE R. KIDDER,
D. W. FITZGERALD.